

Reliable special designed instrument



Reliable special meter display the whole truck's working condition, fault detect and other important information completely which make the operator master the whole truck condition directly and conveniently.

Standard configuration

- backrest
- overhead guard
- fuel lever indicator
- traction pin
- electro-hydraulic direction changing
- horn
- wide angle rear view mirror
- driver's tool
- standard fork
- suspension seat
- power braking
- front combined lamp
- rear combined lamp
- wide view mast
- hydraulic oil dipstick
- central control box
- control valve
- transmission oil filter

- backward buzzer
- hydraulic oil circuit filter
- air intaking device
- overhead guard rain cover
- wholly hydraulic-powered steering
- engine electric flameout
- tilt oil circuit self lock valve
- auxiliary radiator
- durable tread tyre
- transmission oil dipstick
- rubber pad
- cable type parking brake
- tilt adjustable steering column
- flow regulator
- lifting and tilting operation lever
- combined instrument
- OPS travelling control system

Optional device

- driver's cab
- fire extinguisher
- warning light
- steel protection net
- solid tyre
- wind shield
- double air cleaner
- rear working light
- high air exhausting device
- cleansing muffler
- fire extinguisher muffler
- torque converter oil temperature meter
- customer made color
- warm air blower
- double-tyre and protection device
- rotating seat for LPG
- single/dual fuel system for LPG
- tilting cylinder bush
- low speed alarm
- air conditioner (certain type)
- OPS
- widen fork arm carrier
- lengthening fork extension
- Thumb switch



HELI 安徽合力股份有限公司  
ANHUI HELI CO., LTD.

ADD: NO. 668 Fangxing Street, Economical Development Zone, Hefei, P.R. China  
TEL: (86 551) 63639068 (America); 63639258 (Europe); 63639358 (Asia); 63662105 (Africa & Middle East); 63639530 (Warehouse Equipment); 63639531 (Wheel loader)  
FAX: (86 551) 63639966  
WEBSITE: <http://www.helichina.net>

AUTHORIZED DEALER



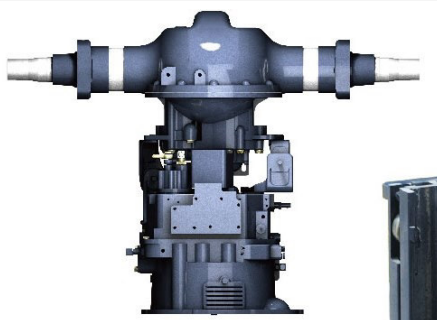
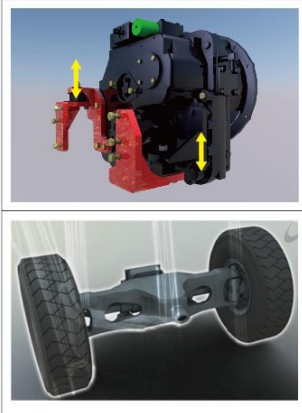




# G2 2-3.5t

G2 series Internal Combustion Counterbalanced Forklift Truck

**G2 series** / INTELLIGENT ENVIRONMENT-FRIENDLY



### Largely improved driver's comfort

- > With HELI homemade flexible connected transmission box, the vibration of the truck is reduced by more than 60% and driver's comfort is largely improved.

### Easier and quicker maintenance

- > Flexible connected transmission box can be dismantled independently for maintenance and repair without affecting engine and drive axle. what is more, cozrse filer can be cleaned or replaced without removing and maintenance efficiency is improved.

### Thumb control system (optional)

- > Thumb control system makes truck control comfort, convenient and user-friendly and reduces driver's fatigue. With Grammer multi-functional armrest, seat and Rexroth electromagnetism, the thumb control system controls the truck operation. The control has the characteristics such as more accuracy, good inch control, low noise and long service life.



### 10% enlarged driving space

- > The tilting cylinder is installed under the floor board .
- > The tilting angle of floor board is reduced to 15°.
- > Enlarged space around foot improves operation comfort and reduces leg fatigue when operating.
- > The space getting on or off the truck is enlarged by using large arc shape of the overhead guard's front leg.

### Cooling ability 10% improved

- > Optimal heat dissipation channel improves airflow.
- > Aluminum plate fin type radiator with high structural strength and cooling ability is assembled on the truck.
- > Counter wight with dual ventilation hole.improved cooling efficiency improves heat balance effect largely and increases truck heavy loaded stability.

### Improved stability and mean-time between failures (MTBF)40% longer

- > The truck stability is improved with the using of flexible connected transmission box, casting steering axle and improvements on ionportant structural parts such as frame, mast and overhead guard. The MTBF of the truck is 40% longer and truck maintenance cost is reduced.





# G2 2-3.5t

G2 series Internal Combustion Counterbalanced Forklift Truck

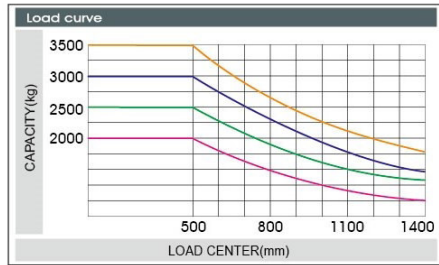
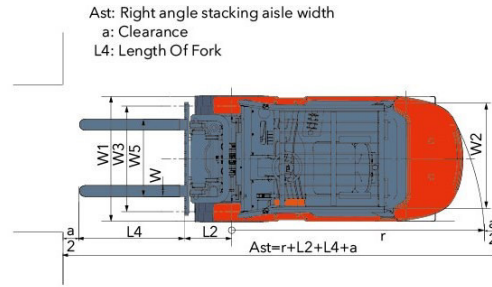
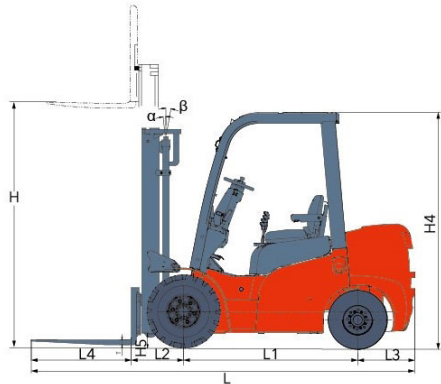


## MANUFACTURER'S DATA AND DESIGN CHARACTERISTICS

Character							
1.01	Manufacturer					HELI	
1.02	Model		CPCD20	CPCD25	CPCD30	CPCD35	
1.03	Engine type				Diesel		
1.04	Rated capacity	kg	2000	2500	3000	3500	
1.05	Load center	mm			500		
1.06	Operation mode				Sit-on type		
<b>Size</b>							
2.01	Max. Lifting height	H	mm	3000	3000	3000	3000
2.02	Mast overall height (fork to the ground and mast be vertical)	H1	mm	2000	2000	2070	2180
2.03	Max. Fork lifting height (with backrest)	H2	mm	4039	4039	4217	4217
2.04	free lift height	H3	mm	145	145	155	160
2.05	Overall height (overhead guard)	H4	mm	2150	2150	2170	2170
2.06	Min. Ground clearance(at the mast)	H5	mm	110	110	135	135
2.07	Distance from the surface of the seat to the overhead guard)	H6	mm	1035	1035	1035	1035
2.08	traction pin height	H7	mm	245	245	250	250
2.09	Backrest height (calculated from the surface of the fork)	H8	mm	1004	1004	1182	1177
2.10	overall length (with fork/without fork)	(L/L')	mm	3450/2530	3675/2605	3800/2730	3845/2775
2.11	Wheel base	L1	mm	1600	1600	1700	1700
2.12	Front overhang	L2	mm	480	480	485	490
2.13	Rear overhang	L4	mm	450	525	545	585
2.14	Overall width	W1	mm	1150	1150	1225	1225
2.15	Tread (front tread/rear tread)	(W3/W4)	mm	970/970	970/970	1000/970	1000/970
2.16	Fork adjustable range (the external of the fork)(max./min.)	W5	mm	1030/244	1030/244	1060/250	1060/250
2.17	Min. Turning radius (exterior)	Wa	mm	2180	2250	2400	2440
2.18	Min. Turning radius(interior)	V	mm	160	160	200	200
2.19	Min.Right angle stacking aisle width	Ra	mm	2210	2280	2380	2420
2.20	Mast tilting angle	$\alpha / \beta$	deg	6/10	6/10	6/10	6/10
2.21	Fork size	L4×W×T	mm	920×122×40	1070×122×40	1070×125×45	1070×125×50
<b>Performance</b>							
3.01	Max. Travelling speed (loaded/unloaded)		Km/h	18/19	18/19	19/21	19/21
3.02	Lifting speed (loaded/unloaded)		mm/s	670/700	560/730	500/590	460/490
3.03	Lowering speed (loaded/unloaded)		mm/s	550/460	420/320	420/400	420/400
3.04	Max. Drawbar pull (loaded/unloaded)		KN	18.3/12.4	19.3/12.8	19.6/16.3	20/16
3.05	Max. Gradability (loaded/unloaded)		%	34/28	32/24	22/23	19/23
<b>Weight</b>							
4.01	Total weight		kg	3560	3880	4400	5000
4.02	Weight distribution loaded(front/rear)		kg	4750/810	5550/830	6500/900	7650/850
4.03	Weight distribution unloaded(front/rear)		kg	1600/1960	1570/2310	1760/2640	2000/3000
<b>Wheel and tyre</b>							
5.01	Wheel number x=drive wheel (front/rear)				2X/2		
5.02	Tyre type (front/rear)				Pneumatic tyre		
5.03	Tyre size (front/rear)			7.00-12-12PR/6.00-9-10PR	7.00-12-12PR/6.00-9-10PR	28×9-15-12PR/6.50-10-10PR	28×9-15-14PR/6.50-10-10PR
5.04	Service brake				Hydraulic-Foot Pedal		
5.05	Parking brake				Mechanical-Hand Lever		
<b>Drive and transmission control device</b>							
6.01	Battery (voltage/capacity)		V/Ah			12/80	
6.02	Engine mode					ISUZU C240	
6.03	Engine rated power		KW/rpm			34.3/2500	
6.04	Engine rated torque		Nm/rpm			137.7/1800	
6.05	Engine cylinder number-borexstroke					4-86×102	
6.06	Engine displacement		L			2.369	
6.07	Emission					Euro Stage IIIA / China Stage III	
6.08	Engine fuel tank capacity		L	66			70
6.09	Transmission box shifting gears (front/rear type)					1-1Power Shift T/M	

NOTE:Note: \* stands for theoretical calculating value.





CPD35 CPD30 CPD25 CPD20

**Note:** The vertical axis stands for load capacity and the horizontal axis stands for load center which is calculated from the front surface of the forks to the gravity of the standard load. The standard load means a cubic with 1000mm edge length. When mast is tilted forward, using non-standard forks or loading large goods, the load capacity will be reduced. The load capacity of standard mast at different load center can be known from this load chart.

WIDE VIEW MAST														
Mast model	Max. lifting height (mm)	Load capacity (load center 500mm)(Kg)				Mast overall height (mm)				Service weight (kg)				Mast tilt angle (°) α / β
		2t	2.5t	3t	3.5t	2t	2.5t	3t	3.5t	2t	2.5t	3t	3.5t	
M200	2000	2000	2500	3000	3500	1500	1500	1570	1680	3465	3785	4305	4905	6/10 *6/10
M250	2500	2000	2500	3000	3500	1750	1750	1820	1930	3510	3830	4342	4950	6/10 *6/10
M300	3000	2000	2500	3000	3500	2000	2000	2070	2180	3560	3880	4400	5000	6/10 *6/10
M330	3300	2000	2500	3000	3500	2150	2150	2220	2330	3585	3905	4420	5030	6/10 *6/10
M350	3500	2000	2500	3000	3500	2250	2250	2320	2430	3600	3920	4437	5050	6/10 *6/10
M370	3700	2000	2500	3000	3500	2350	2350	2420	2530	3620	3940	4455	5070	6/6 *6/10
M400	4000	2000	2500	3000	3500	2550	2550	2620	2730	3680	4000	4520	5110	6/6 *6/10
M425	4250	1900 *2000	2250 *2500	2850 *3000	3100 *3200	2675	2675	2745	2855	3705	4025	4542	5140	6/6 *6/10
M450	4500	1800 *1900	2150 *2400	2750 *3000	3000 *3050	2800	2800	2870	2980	3725	4045	4573	5160	6/6 *6/10
M500	5000	1600 *1700	1650 *2200	2400 *2850	2500 *2850	3050	3050	3120	3230	3775	4095	4626	5200	6/6 *6/6
M550	5500	*1600	*1950	*2450	*2500	3350	3350	3420	3530	3855	4175	4700	5360	*3/6
M600	6000	*1500	*1800	*2200	*2300	3600	3600	3670	3780	3900	4220	4740	5300	*3/6

NOTE: (1)\* refers to rated capacity with dual front tires or widen tires;

WIDE VIEW FULL FREE 2-STAGE MAST																		
Mast model	Max. lifting height (mm)	Load capacity (load center 500mm)(Kg)				Mast overall height (mm)				Free lifting height (with backrest) (mm)				Service weight (kg)			Mast tilt angle (°) α / β	
		2t	2.5t	3t	3.5t	2t	2.5t	3t	3.5t	2t	2.5t	3t	3.5t	2t	2.5t	3t		3.5t
M200	2000	2000	2500	3000	3500	1500	1500	1570	1680	490	490	388	503	3495	3815	4343	4950	6/10 *6/10
M250	2500	2000	2500	3000	3500	1750	1750	1820	1930	740	740	638	753	3545	3865	4385	4990	6/10 *6/10
M300	3000	2000	2500	3000	3500	2000	2000	2070	2180	990	990	888	1003	3600	3920	4447	5035	6/10 *6/10
M330	3300	2000	2500	3000	3500	2150	2150	2220	2330	1140	1140	1038	1153	3625	3945	4470	5060	6/10 *6/10
M350	3500	2000	2500	3000	3500	2250	2250	2320	2430	1240	1240	1138	1253	3640	3960	4488	5080	6/10 *6/10
M370	3700	2000	2500	3000	3500	2350	2350	2420	2530	1340	1340	1238	1353	3665	3985	4509	5100	6/10 *6/10
M400	4000	2000	2500	3000	3500	2550	2550	2620	2730	1540	1540	1438	1553	3725	4045	4577	5140	6/6 *6/10
M425	4250	1900 *2000	2250 *2500	2850 *3000	3100 *3200	2675	2675	2745	2855	1665	1665	1563	1678	3755	4075	4602	5160	6/6 *6/10
M450	4500	1800 *1900	2150 *2400	2750 *3000	3000 *3050	2800	2800	2870	2980	1790	1790	1688	1803	3775	4095	4634	5180	6/6 *6/10
M500	5000	1600 *1700	1650 *2200	2400 *2850	2500 *2850	3050	3050	3120	3230	2040	2040	1938	2053	3830	4150	4692	5225	6/6 *6/6
M550	5500	*1600	*1950	*2450	*2500	3350	3350	3420	3530	2340	2340	2238	2353	3915	4235	4771	5290	*3/6
M600	6000	*1500	*1800	*2200	*2300	3600	3600	3670	3780	2590	2590	2488	2603	3965	4285	4815	5330	*3/6

NOTE: (1)\* refers to rated capacity with dual front tires or widen tires;

WIDE VIEW FULL FREE 3-STAGE MAST																		
Mast model	Max. lifting height (mm)	Load capacity (load center 500mm)(Kg)				Mast overall height (mm)				Free lifting height (with backrest) (mm)				Service weight (kg)			Mast tilt angle (°) α / β	
		2t	2.5t	3t	3.5t	2t	2.5t	3t	3.5t	2t	2.5t	3t	3.5t	2t	2.5t	3t		3.5t
ZSM360	3600	2000	2400	2900	3300	1795	1795	1930	1930	785	785	748	753	3725	4045	4590	5190	6/6 *6/6
ZSM400	4000	1900	2400	2900	3300	1920	1920	2055	2055	910	910	873	878	3765	4085	4630	5230	6/6 *6/6
ZSM435	4350	1850 *1900	2200 *2400	2800 *2900	2900 *3000	2045	2045	2180	2180	1035	1035	998	1003	3800	4120	4660	5260	6/6 *6/6
ZSM450	4500	1750 *1800	2150 *2300	2700 *2800	2800 *2900	2095	2095	2230	2230	1085	1085	1048	1053	3810	4135	4680	5280	6/6 *6/6
ZSM470	4700	1720 *1800	2000 *2300	2600 *2800	2650 *2900	2160	2160	2230	2230	1150	1150	1048	1053	3830	4150	4680	5280	6/6 *6/6
ZSM480	4800	1700 *1800	1950 *2300	2500 *2800	2600 *2900	2195	2195	2330	2330	1185	1185	1148	1153	3850	4160	4710	5310	6/6 *6/6
ZSM500	5000	1600 *1750	1650 *2250	2400 *2750	2450 *2850	2295	2295	2430	2430	1285	1285	1248	1253	3865	4185	4740	5340	6/6 *6/6
ZSM540	5400	1450 *1700	1500 *2150	2250 *2550	2300 *2700	2420	2420	2555	2555	1410	1410	1373	1378	3905	4225	4770	5370	3/6 *3/6
ZSM600	6000	950 *1600	1000 *1800	1500 *2150	1550 *2200	2645	2645	2780	2780	1635	1635	1598	1603	3985	4305	4860	5460	3/6 *3/6

NOTE: (1)\* refers to rated capacity with dual front tires or widen tires;

ENGINE MODEL AND MAIN SPECIFICATION FOR OPTION					
Engine model	Rated power/rotating speed (kW/rpm)	Rated power/rotating speed (Nm/rpm)	Engine displacement (L)	Engine cylinder number-Bore x Stroke	Emission
GM3.0	50/2700	203/1600	3.0	4 - 101.6 x 91.44	CARB4/EPA STAGE II
GCT K21	31.5/2250	143.7/1600	2.065	4 - 89 x 83	
GCT K25	37.4/2300	176.35/1600	2.488	4 - 89 x 100	
ISUZU4JG2	35/2450	170/1700	3.059	4 - 95.4 x 107	Euro Stage IIIA
CUMMINS QSF2.8	36.5/2500	186/1100-1500	2.8	4 - 94 x 100	Euro Stage IIIA / China Stage III