

CBD20/25/30-460 Electric Pallet Truck

Configuration and performance

- Electronic power steering system, light and low noise;
- AC Driving system, NO carbon brush, maintenance free;
- Automatic lifting limits, safety energy saving;
- Drive unit floating bodies with patent design;
- Side-way battery, easy to replace;
- Electromagnetic, regenerative braking system.

Safety

- Curve automatic deceleration devices, more safe;
- Stepless speed control system, safe and quiet;
- Controller with Multiple automatic protection;
- Emergency reversing device/Emergency Brake switch.

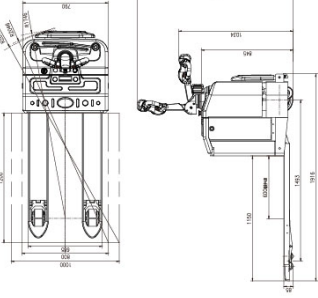
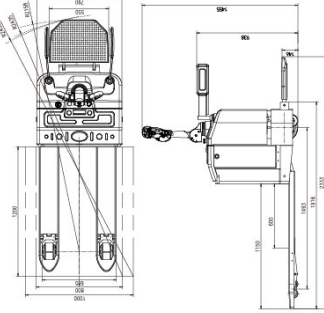
Option

- Lithium battery

Side-loaded battery EPS/AC
Steering automatic deceleration

Feature	CBD20/25/30
Model	460
Configuration No.	2000/2500/3000
Loading capacity	kg
Load center	mm
Wheel base	mm
Operating type	Ride On
Wheels	
Wheels type	PU
Wheel quantity	1/2/4
Driving wheel/Bearing wheel	Ø248×75
Driving wheel size	mm
Bearing wheel size	mm
Balance wheel size	mm
Dimension	
Min.fork lowered height	mm
Max.fork lifting height	mm
Max.lifting height	mm
Overall fork width	mm
Inside width between forks	mm
Fork length	mm
Fork width	mm
Fork thickness	mm
Overall length	mm
Overall width	mm
Overall height(With handle)	mm
Overall height(Without handle)	mm
Min.Turning radius	mm
Min.Aisle width for pallets 800×1200	mm
Min.Aisle width for pallets 1000×1200	mm
Performance	
Travel speed,laden/unladen	km/h
Lift speed,laden/unladen	mm/s
Lowering speed,laden/unladen	mm/s
Gradeability,laden/unladen	%
Electrical configuration	
Drive motor	kW
Lift motor	kW
Steering motor	kW
Brake	
Battery	Electromagnetic/Regenerative
Battery voltage / capacity	V/Ah
Controller	Lead-acid battery
Battery weight	kg
Service weight with battery	kg
	Lithium battery (Optional)
	24/270
	ZAPI
	247
	831
	6/5

* Details of specifications and equipment are based on information available at time of printing and may change without notice.



ANHUI HELI CO., LTD.

ADD: NO.648 Fanyang Street, Economic Development Zone, Hefei, P.R. China
 TEL: (86 551) 63639068 (America) 63639258 (Europe) 63639358 (Asia)
 63662105 (Africa & Middle East) 63639530 (Key Accounts division)
 63662105 (Wheel loader)
 FAX: (86 551) 63639966
 WEBSITE: <http://www.heliforklift.net>
 Email: helih@helichina.net

AUTHORIZED DEALER