

CBD20/25/30-470 Electric Ride-on Pallet Truck



Configuration and performance

- Electronic power steering system, light and low noise.
- Drive unit floating bodies with patent design.
- AC Driving system, No carbon brush, maintenance free.
- Electromagnetic, regenerative braking system.
- Automatic lifting limit, extend the life of the battery and motor.

Safety

- Curve automatic deceleration devices, more safe.
- Stepless speed control system, safe and quiet.
- Controller with Multiple automatic protection.
- Emergency reversing device/ Emergency brake switch.

Option

- Lithium battery

EPS IAC

Steering automatic deceleration

Customized Wide Legs

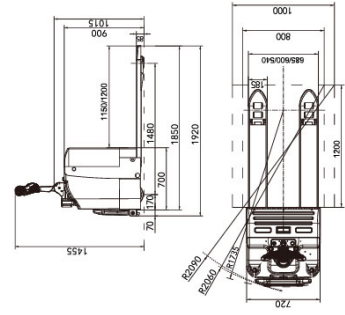
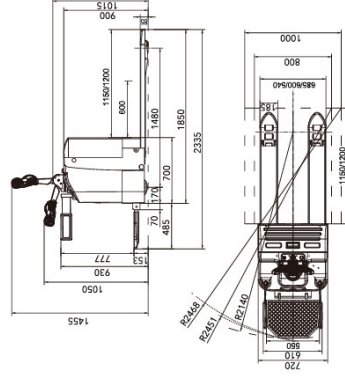
© The difference between CBD20-470 and CBD20-460

Model	Load capacity (kg)	Battery capacity (Ah)		Overall fork width (mm)	Battery installation
		Standard	OPTION		
470	2000-3000	280	360	540/600/650/685/1070	Hoisting
460	2000-3000	270	210	550/600/650/685	Side-loaded battery

CBD20/25/30-470

Feature	
Model	CBD20/25/30-470
Loading capacity	2000/2500/3000
Load center	600
Wheel base	1480
Operating type	Stand On
Wheels	
Wheels type	PU
Wheel quantity	1/2/4
Driving wheel size	φ248×75
Bearing wheel size	φ84×80(Double wheels)
Balance wheel size	φ115×55
Dimension	
Min.fork lowered height	85
Max.fork lifting height	205
Max.lifting height	120
Overall fork width	540/600/650/685
Inside width between forks	200/260/310/345
Fork length	1150/1200
Fork width	170
Fork thickness	75
Overall length	1920/2335
Overall width	720
Overall height(With handle)	1455
Overall height(Without handle)	900
Min.Turning radius	1735/2140
Min.Aisle width for pallets 800×1200	2060/2451
Min.Aisle width for pallets 1000×1200	2090/2468
Performance	
Travel speed,laden/unladen	6/16
Lift speed,laden/unladen	30/35
Lowering speed,laden/unladen	40/35
Gradeability,laden/unladen	6/16
Electrical configuration	
Drive motor	kW AC 1.5
Lift motor	kW DC 1.2
Steering motor	kW DC 0.15
Brake	Electromagnetic/Regenerative
Battery	
Battery voltage / capacity	V/Ah Lead acid battery Lithium battery (Optional)
Controller	Z4/Z280 ZAPI
Battery weight	kg 238 104
Service weight with battery	kg 784 613

* Details of specifications and equipment are based on information available at time of printing and may change without notice.



ANHUI HELI CO., LTD.
 ADD: NO.648 Fangping Street Economic Development Zone, Hefei, P.R.China
 TEL: (86 551)63639068 (America) 63639258 (Europe) 63639358 (Asia)
 63662105 (Africa & Middle East) 63639530 (Key Accounts division)
 63662105 (Wheel loader)
 FAX: (86 551)63639966
 WEBSITE: <http://www.heliforklift.net>
 Email: helihelichina.net

AUTHORIZED DEALER