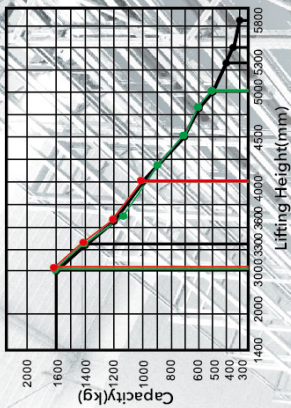


CDD16-D930/950/350 Forkover Electric Stacker

Load Curve



- CDD16-950
- CDD16-D930
- CDD16-350

Configuration and performance

- Electronic power steering system, light and low noise.
- Two-way magnetic valve three drop speed mode.
- Drive unit floating bodies with patent design.
- AC Driving system, No carbon brush, free maintenance.
- Electromagnetic, regenerative braking system.
- Automatic lifting limit, proximity switch, long life.

Safety

- Curve automatic deceleration devices, more safe.
- Vehicle decelerates automatically at higher position.
- Stepless speed control system, safe and quiet.
- Controller with Multiple automatic protection.
- Emergency reversing device/Emergency brake switch.
- High position automatic reduction device.

Option

- Lithium battery



AC | EPS

Down mode at 3 speeds

Steering automatically deceleration

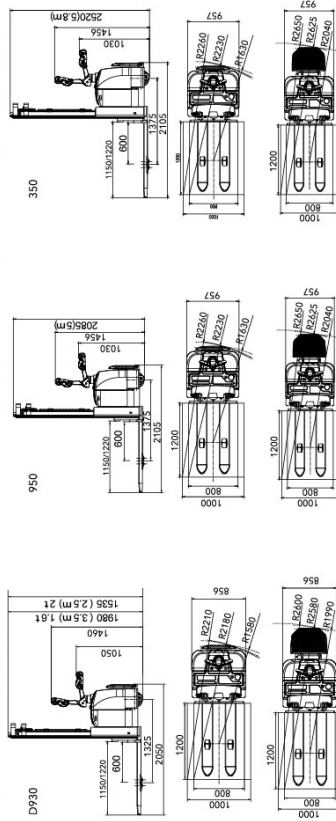
Truck automatically decelerates while at higher lifting position

Type	Lift height (mm)	Mast type	Outside width between legs (mm)	Inside width between legs (mm)
CDD16-D930	1400/2000/2500/3000/3300/3600/4000	Standard 2-Stage	550/600/650/685	180/230/280/315
CDD16-950	3700/3900/4200/4500/4700/5000	Full Free 3-Stage		
CDD16-350	5300/5500/5800	Full Free 3-Stage		

CDD16-D930/950/350

Feature	CDD16 D930	CDD16 950	CDD16 350
Model	CDD16 D930	CDD16 950	CDD16 350
Configuration No.	D930	950	Fork Over
Type	Fork Over	Fork Over	Fork Over
Mast type	Standard 2-Stage	Full free 3-Stage	Full free 3-Stage
Load capacity	1600	1600	1600
Load center	600	600	600
Wheel base	1325	1375	1375
Operating type	Walkie/Stand On		
Wheels	PU	PU	PU
Wheels type	1/2.4	1/2.4	1/2.4
Wheel quantity	3	3	3
Wheel balance	3600/4000	4500/4700/5000	5300/5500/5800
Dimension			
Standard lift height	mm 90	mm 90	mm 90
Lowered fork height	mm 1150(1220)/185/55	mm 1150(1220)/185/55	mm 1150(1220)/185/55
Fork size (length/width/thickness)	mm 2050/2470	mm 2105/2525	mm 2105/2525
Overall length	mm 856	mm 957	mm 957
Max. extend height	mm 1900/2500/3000/3500/3800/4100/4500	mm 4200/4400/4700/5000/5200/5500	mm 5800/6000/6300
Mast lowered height	mm 1185/1335/1765/1980/2135/2335/2500	mm 1800/1900/1985/2085/2135/2235	mm 2520/2590/2690
Min. Turning radius	mm 1580/1990	mm 1595/2010	mm 1595/2010
Min. Aisle width for pallets 800x1200	mm 2180/2580	mm 2230/2625	mm 2230/2625
Min. Aisle width for pallets 1000x1200	mm 2210/2600	mm 2260/2650	mm 2260/2650
Min. ground clearance	mm 30	mm 30	mm 30
Performance			
Travel speed, laden/unladen	km/h 6/6	km/h 6/6	km/h 6/6
Lift speed, laden/unladen	mm/s 130/180	mm/s 130/180	mm/s 130/180
Lowering speed, laden/unladen	mm/s 100/230	mm/s 100/230	mm/s 100/230
Gradeability, laden/unladen	% 6/8	% 6/8	% 6/8
Electrical configuration			
Drive motor/Lift motor/Steering motor	AC1.5/DC3/DC0.15	AC1.5/DC3/DC0.15	AC1.5/DC3/DC0.15
Brake	Electromagnetic/Regenerative	Electromagnetic/Regenerative	Electromagnetic/Regenerative
Weight			
Lead-acid battery	Lithium battery (Optional)	Lithium battery (Optional)	Lithium battery (Optional)
Battery voltage/Battery capacity	V/Ah 24/280	V/Ah 24/280	V/Ah 24/280
Controller	ZAPI	ZAPI	ZAPI
Battery weight	kg 235	kg 235	kg 235
Service weight with battery	kg 1213	kg 1109	kg 1388

* Details of specifications and equipment are based on information available at time of printing and may change without notice.



ANHUI HELI CO., LTD.

ADD: NO.668 Fuyang Street, Economic Development Zone, Hefei, P.R. China
 TEL: (86 551) 63639068 (America) 63639258 (Europe) 63639358 (Asia)
 63662105 (Africa & Middle East) 63639530 (Key Accounts division)
 63662105 (Wheel loader)
 FAX: (86 551) 63639966
 WEBSITE: <http://www.heliforklift.net>
 Email: hel@helchina.net

AUTHORIZED DEALER