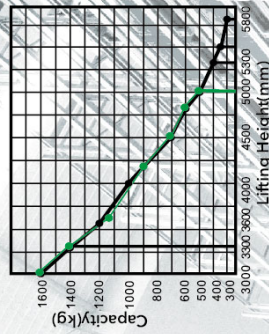


## CTD16-960/360 Straddle Electric Stacker

### Load Curve



### Configuration and performance

- Electronic power steering system, light and low noise.
- Two-way magnetic valve, three drop speed mode.
- Drive unit floating bodies with patent design.
- AC driving system, No carbon brush, maintenance free.
- Electromagnetic regenerative braking system.
- Automatic lifting limit, proximity switch, long life.

### Safety

- Curve automatic deceleration devices, more safe.
- Vehicle decelerates automatically at higher position.
- Stepless speed control system, safe and quiet.
- Controller with Multiple automatic protection.
- Emergency reversing device/ Emergency brake switch.
- High position automatic reduction device

### Option

- Lithium battery

### Economical straddle typed stacker

### Steering automatic deceleration

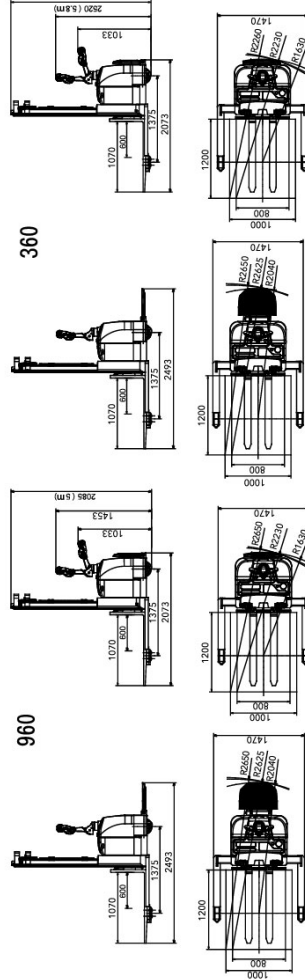
### AC LEPS Down mode at 3 speeds

### Truck automatically decelerates while at higher lifting position

Type	Lift height (mm)	Mast type	Outside width between legs (mm)	Inside width between legs (mm)
CTD16-960	3700/3900/4200/4500/4700/5000	Full Free 3-Stage	1170/1320/1470/1650/970/1120/1270/1450	
CTD16-360	5300/5500/5800	Full Free 3-Stage		

Feature	CTD16	CTD16
Model	960	360
Configuration No.	Straddle	Straddle
Type	Full free 3-Stage	Full free 3-Stage
Mast type	1600	1600
Load capacity	600	600
Load center	1375	1375
Wheel base		
Operating type	Walkie/Stand On	Walkie/Stand On
Wheels	PU	PU
Wheels type	1/2/4	1/2/4
Wheels size		
Balance wheel/Beaming wheel		
Dimension		
Standard lift height	3700/3900/4200/4500/4700/5000	5300/5500/5800
Lowered fork height	55	85
Fork size(length/width/thickness)	1070/100/40	1070/100/40
Overall length	2073/2493	2073/2493
Overall width	1470	1470
Max.extend height	5800/6000/6300	5800/6000/6300
Mast lowered height	1800/1900/1985/2085/2135/2235	2520/2590/2690
Min.Turning radius	1630/2040	1630/2040
Min.Aisle width for pallets 800×1200	2230/2625	2230/2625
Min.Aisle width for pallets 1000×1200	2260/2650	2260/2650
Min.ground clearance	50	30
Performance		
Travel speed,laden/unladen	6/6	6/6
Lift speed,laden/unladen	130/180	130/180
Lowering speed,laden/unladen	100/200	100/200
Gradeability,laden/unladen	6/8	6/8
Electrical configuration		
Drive motor/Lift motor/Steering motor	AC1.5/DC3/DC0.15	AC1.5/DC3/DC0.15
Brake	Electromagnetic/Regenerative	Electromagnetic/Regenerative
Weight		
Lead-acid battery	24	24
Lithium battery (Optional)	24	24
Battery voltage	24	24
Battery capacity	280	200
Controller	ZAPI	ZAPI
Battery weight	235	99
Service weight with battery	1577	1456
kg	1657	1536

\* Details of specifications and equipment are based on information available at time of printing and may change without notice.



### ANHUI HELI CO., LTD.

ADD: NO.668 Fuyang Street, Economic Development Zone, Hefei, P.R.China  
 TEL: (86 551) 63639068 (America) 63639258 (Europe) 63639358 (Asia)  
 63662105 (Africa & Middle East) 63639530 (Key Accounts division)  
 63662105 (Wheel loader)  
 FAX: (86 551) 63639966  
 WEBSITE: <http://www.heliforklift.net>  
 Email: [hel@helichina.net](mailto:hel@helichina.net)

AUTHORIZED DEALER