

**CPD
08/10/12 SH**



0.8-1.2 t

G series Three wheel AC Battery Forklift Truck



Flexible operations in tight spaces

It has light weight and can enter the cargo elevator together with the goods.



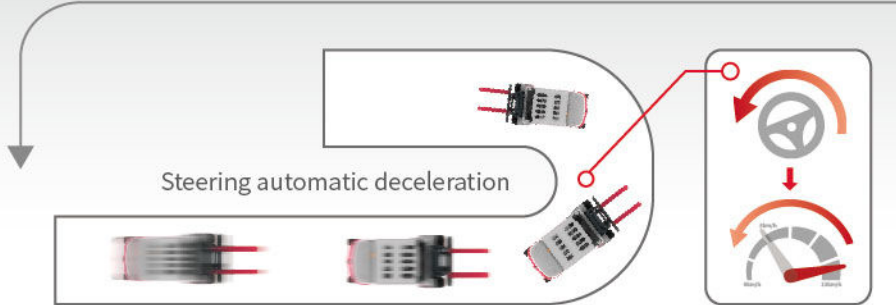
The variable wheelbase design of the front axle can increase the stability of the whole truck and make driving safer when it is extended; when retracted, it has better mobility and more convenient operation in tight space.



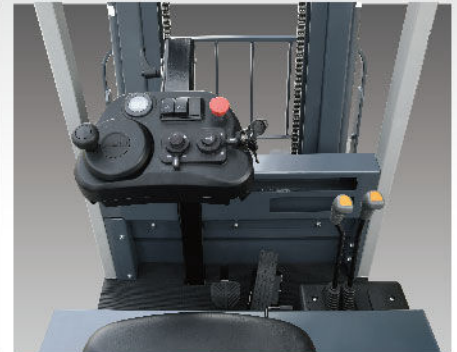
The truck features small dimensions, **90°** turning of rear wheel, small turning radius and flexible operation which to permit maneuvering in tight space.

Rich configurations

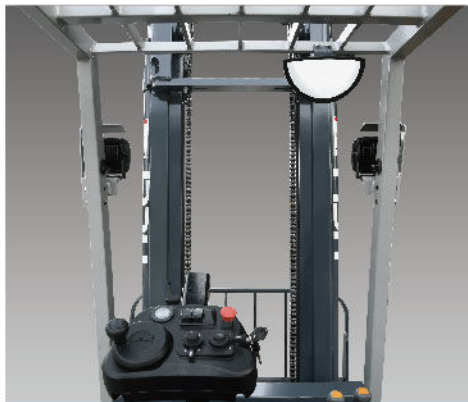
EPS electronic steering system is equipped as standard, which makes steering more smart, operation more accurate and driving experience more fluent.



Standard configuration of steering deceleration offers automatic proportional deceleration on the curve to ensure the smooth driving of the truck when passing the curve.



Ergonomic integrated operation platform offers complete functions and convenient operation.



Wide view mast offers wide view.



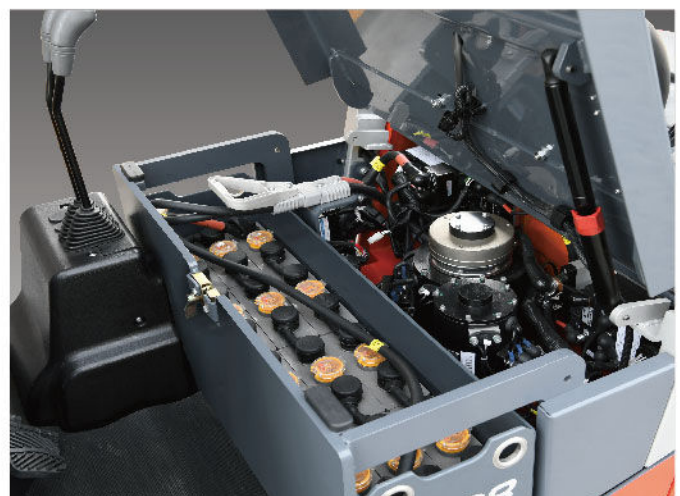
Rear handle with horn ensures stable driving posture when reversing and driving safety and comfort.



The electronic parking brake system (EPB) realizes one button parking brake and it is convenient and comfortable to operate.

Convenient and high efficient maintenance

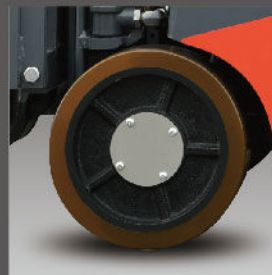
- Battery side pulling changing way makes battery changing more convenient.
- Full opening of cab offers convenient assembling and disassembling and good maintainability.





Safe and reliable

- Imported electronic elements have reliable quality.
- The truck has the functions of regenerated braking, plug braking and anti-slip on slope and they are safe and reliable.
- The truck is equipped with LED lights and polyurethane tyre and they are durable.
- High frequent MOSFET integrated controller makes controls on truck travelling and lifting more accurate.



Standard configuration

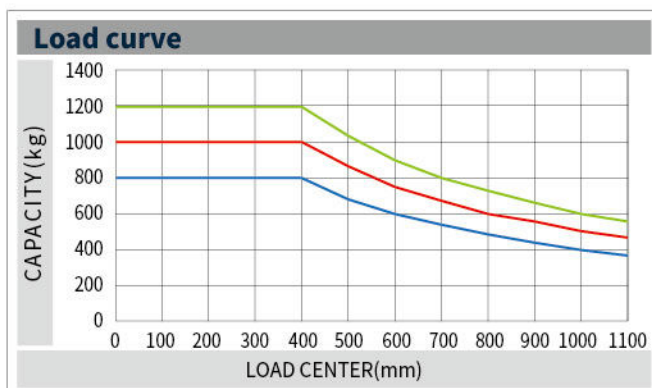
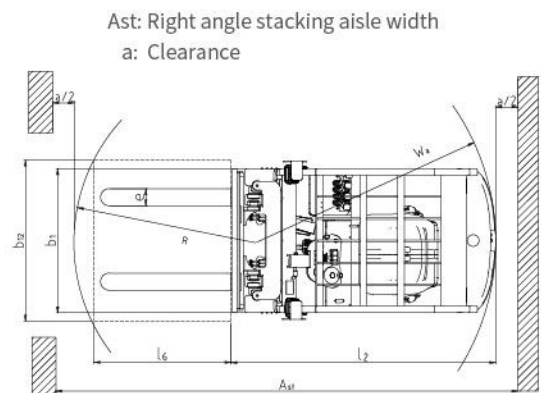
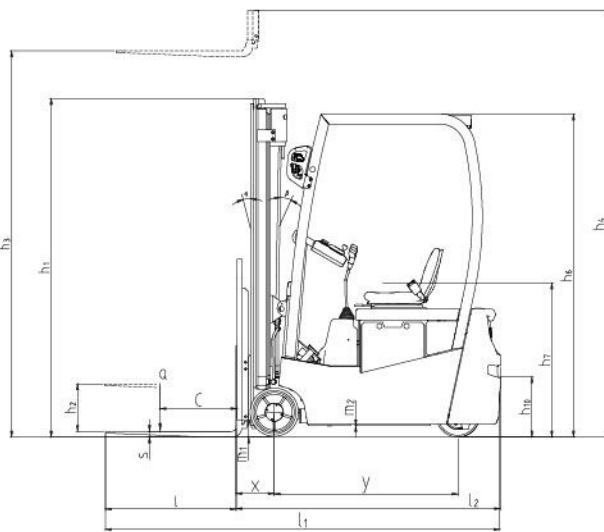
- Wide view basic mast
- Standard fork
- II stage fork arm carrier
- Control valve
- Battery
- Seat
- LED display
- Polyurethane tyre
- LED light
- Traction pin
- Turn automatic deceleration function
- Electric power steering
- Electrical park brake
- Battery side pulling

Optional device

- Three-stage full free lift mast
- Battery roller stand
- Side shifting
- Warning light (flashing, rotating, buzzing)
- Rear working light
- Fan
- Fire extinguisher
- Heli smart fleet management system

Manufacturer and Technical Data

| Characteristics | | | | | | |
|------------------|---------------------------------------|----|------|--------------|------------|------------|
| 1.01 | Manufacturer | | | HELI | | |
| 1.02 | Model | | | CPD08SH | CPD10SH | CPD12SH |
| 1.03 | Configuration number | | | GA1 | GA1 | GA1 |
| 1.04 | Rated capacity | Q | kg | 800 | 1000 | 1200 |
| 1.05 | Load center distance | c | mm | 400 | 400 | 400 |
| Weight | | | | | | |
| 2.01 | Total weight (with/without battery) | | kg | 1685/1445 | 1790/1468 | 1930/1540 |
| Tyres | | | | | | |
| 3.01 | Tyre type | | | Polyurethane | | |
| 3.02 | Tyre size, front | | | φ285×100 | φ285×100 | φ285×100 |
| 3.03 | Tyre size, rear | | | φ250×100 | φ250×100 | φ250×100 |
| Dimensions | | | | | | |
| 4.02 | Height (mast lowered) | h1 | mm | 2000 | 2000 | 2000 |
| 4.05 | Max. height, extended (with backrest) | h4 | mm | 4016 | 4016 | 4016 |
| 4.09 | Overall length (with fork) | l1 | mm | 2133 | 2295 | 2445 |
| 4.10 | Overall length (without fork) | l2 | mm | 1363 | 1525 | 1525 |
| 4.11 | Overall width | b1 | mm | 850 | 850 | 850 |
| 4.19 | Min. outside turning radius | Wa | mm | 1138 | 1300 | 1300 |
| Performance Data | | | | | | |
| 5.01 | Travel speed (laden/unladen) | | km/h | 6.5/8 | 6.5/8 | 6.5/8 |
| 5.02 | Lift speed (laden/unladen) | | m/s | 0.15/0.235 | 0.15/0.235 | 0.15/0.235 |
| 5.05 | Max. gradeability (laden/unladen) | | % | 12 | 10 | 8 |
| Battery | | | | | | |
| 6.01 | Battery voltage/Capacity | | V/Ah | 24/240 | 24/360 | 24/480 |
| 6.02 | Battery weight (Min./Max.) | | kg | 240 | 320 | 390 |



CPD08 CPD10 CPD12

Note:

The vertical axis stands for load capacity and the horizontal axis stands for load center which is calculated from the front surface of the forks to the gravity of the standard load. The standard load means a cubic with 800mm edge length. When mast is tilted forward, using non-standard forks or loading large goods, the load capacity will be reduced. The load capacity of standard mast at different load center can be known from this load chart.

Wide View Standard Mast

| Mast model | Max.lifting height (mm) | Load capacity (lode center 400mm)(kg) | | | Height (mast lowered)(mm) | Free lift (with backrest) (mm) | Service weight (kg) | | | Mast tilt angle α/β (°) |
|------------|-------------------------|---------------------------------------|------|------|---------------------------|--------------------------------|---------------------|----------|------|------------------------------------|
| | | 0.8t | 1.0t | 1.2t | | | 0.8-1.2t | 0.8-1.2t | 0.8t | |
| M200 | 2000 | 800 | 1000 | 1200 | 1500 | 60 | 1634 | 1739 | 1879 | 3/5 |
| M250 | 2500 | 800 | 1000 | 1200 | 1750 | 60 | 1658 | 1763 | 1903 | 3/5 |
| M270 | 2700 | 800 | 1000 | 1200 | 1850 | 60 | 1669 | 1774 | 1914 | 3/5 |
| M300 | 3000 | 800 | 1000 | 1200 | 2000 | 60 | 1685 | 1790 | 1930 | 3/5 |
| M330 | 3300 | 800 | 1000 | 1200 | 2150 | 60 | 1701 | 1806 | 1946 | 3/5 |
| M350 | 3500 | 700 | 900 | 1100 | 2250 | 60 | 1712 | 1817 | 1957 | 3/5 |
| M370 | 3700 | 650 | 850 | 1000 | 2350 | 60 | 1723 | 1828 | 1968 | 3/5 |
| M400 | 4000 | 550 | 750 | 850 | 2500 | 60 | 1759 | 1864 | 2004 | 3/5 |
| M425 | 4250 | 500 | 650 | 750 | 2625 | 60 | 1772 | 1877 | 2017 | 3/5 |
| M450 | 4500 | 450 | 550 | 650 | 2750 | 60 | 1786 | 1891 | 2031 | 3/5 |

Wide View Full Free 3-Stage Mast

| Mast model | Max.lifting height (mm) | Load capacity (lode center 400mm)(kg) | | | Height (mast lowered)(mm) | Free lift (with backrest) (mm) | Service weight (kg) | | | Mast tilt angle α/β (°) |
|------------|-------------------------|---------------------------------------|------|------|---------------------------|--------------------------------|---------------------|----------|------|------------------------------------|
| | | 0.8t | 1.0t | 1.2t | | | 0.8-1.2t | 0.8-1.2t | 0.8t | |
| ZSM360 | 3600 | 650 | 850 | 1000 | 1682 | 748 | 1767 | 1872 | 2012 | 3/5 |
| ZSM380 | 3800 | 600 | 750 | 900 | 1748 | 808 | 1778 | 1883 | 2023 | 3/5 |
| ZSM400 | 4000 | 500 | 700 | 800 | 1814 | 868 | 1789 | 1894 | 2034 | 3/5 |
| ZSM430 | 4300 | 450 | 600 | 700 | 1914 | 968 | 1805 | 1910 | 2050 | 3/5 |
| ZSM450 | 4500 | 400 | 500 | 600 | 1980 | 1028 | 1815 | 1920 | 2060 | 3/5 |

Note: 442 mm Free lifting height without backrest:+442mm.

HELI



检测 CNAS L7096

HELI CANADA

5705, place Kubota
Drummondville (Qc)
Canada, J2B 6V4
1-833-HELICAN
info@heliforklift.ca
heliforklift.ca



Our products are subject to improvements and changes without notice.