

HELI

CDD15J

Electric pallet stacker

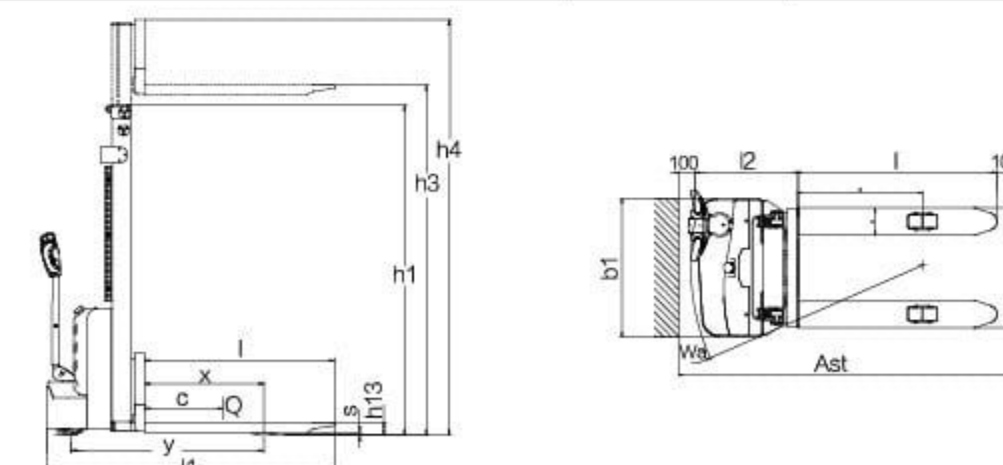
Characteristics:

- 1.High power lift pump has high working efficiency.
- 2.Side driving design achieves a smaller steering radius and wide view.
- 3.The driving system with permanent magnetic motor has small volume,light weight and low consumption.
- 4.German water-proof inching switch meets the requirements of harsh working condition such as cold,humidity and dust circumstances.
- 5.Four colors LED electricity meter makes it simple and easy to read.
- 6.External charger has better cooling performance.
- 7.It's more comfortable and easier for operator using a super long handle that integrates with lifting button,key switch,electricity meter,which is suitable for ergonomics;more accurate speed control with turtle speed switch;more durable with high quality air-pressure aprings which allows slowly and automatically reset.
- 8.Iron steel protection guard with high density,which is more durable,firm and has high protection effect.
- 9.Maintenance-free battery.

CDD15J

Manufacturer's Data and Design Characteristics

Characteristics							
1.1	Manufacturer	HELI					
1.2	Model	CDD15J					
1.3	Operation	Pedestrian propelled					
1.4	Rated traction weight	Q (kg)	1500				
1.5	Mast type	Single mast	2-Stage STD				
1.6	Lift	h3 (mm)	1600	2000	2500	3000	3500
1.7	Capacity at highest height	kg	1500	1300	1100	900	750
1.8	Service weight (include battery)	kg	430	471	483	495	507
1.9	Load centre	c (mm)	600				
1.10	Axle centre to fork face	x (mm)	720				
1.11	Wheel base	y (mm)	1167				
1.12	Controller	CURTIS					
Wheels							
2.1	Wheels type	Polyurethane					
2.2	Driving wheel size	Φ × w(mm)	Φ210 × 70				
2.3	Bearing wheel size	Φ × w(mm)	Φ80 × 70				
2.4	Additional wheels (dimensions)	Φ × w(mm)	Φ115 × 55				
2.5	Wheels, number front/rear (x = driven)	1x+1/4					
Dimensions							
3.1	Height of mast, lowered	h1 (mm)	2014	1495	1745	1995	2245
3.2	Height of mast, extended	h4 (mm)	2014	2424	2924	3424	3924
3.3	Fork Height, Lowered	h13 (mm)	86				
3.4	Overall length	l1 (mm)	1740				
3.5	Length to fork face	l2 (mm)	590				
3.6	Overall width	b1/ b2 (mm)	795				
3.7	Fork dimensions	s/e/l (mm)	60/160/1150				
3.8	Width of forks	b5 (mm)	570/650/695				
3.9	Min.Ground clearance	m2 (mm)	26				
3.10	Aisle width with pallet1000 x 1200 across forks	Ast (mm)	2074				
3.11	Aisle width with pallet800 x 1200 along forks	Ast (mm)	2040				
3.12	Min.Turning radius	Wa (mm)	1342				
Performance							
4.1	Travel spees,with/without load	(km/h)	4.0/4.2				
4.2	Lifting speed, with/without load	(mm/s)	92/136				
4.3	Lowering speed, with/without load	(mm/s)	112/98				
4.4	Max. gradeability laden/unladen	(%)	6/8				
4.5	Service brake	Electromagnetic brake					
Drive and Battery							
5.1	Drive motor,output S2 60 min.	(kW)	0.75				
5.2	Lift motor rating at S3 15%	(kW)	2.2				
5.3	Battery according to DIN43531/35/36 A,B,C,no		no				
5.4	Battery voltage/rated capacity	(V/Ah)	2 × 12/100				
5.5	Battery weight (± 5%)	(kg)	2 × 27				
Others							
6.1	Noise level at operator' s ears	(dB(A))	69				
6.2	Steering type	Mechanical steering					



ANHUI HELI CO., LTD.

Add / No.668, FangXing Road, Hefei, China
Fax / +86-551-63639966

Tel / +86-551-63639068(America); 63639258(Europe);
63639358(Asia); 63662105(Africa & Middle East);
63639530(Key Accounts Division); 63662105(Wheel loader)